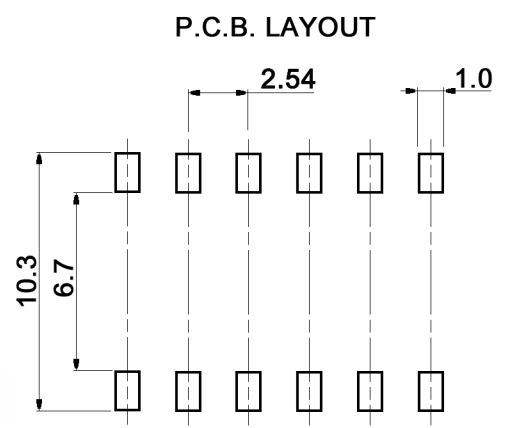
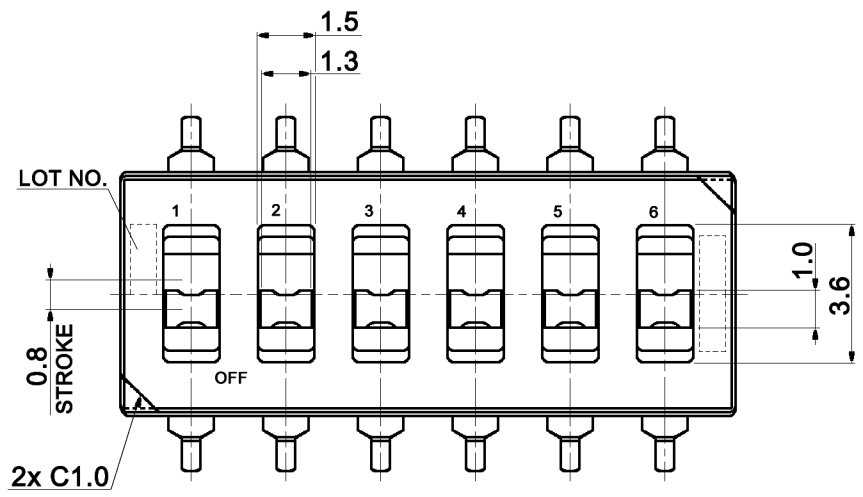
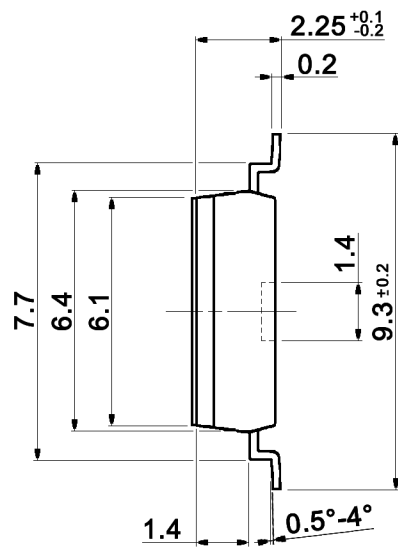


Part No.	Poles	A
SMS 502	2	6.3
SMS 504	4	11.4
SMS 506	6	16.5
SMS 508	8	21.55
SMS 510	10	26.65



Compliance: RohS III (2015/863/EU)

x	Packaging
empty	tube packaging
T	tape and reel

Tolerances: <3: ±0.2mm >3: ±0.3mm			Date	Name
			11/09	dr
P.C.B. Layout	10/24	dr		
Material	07/21	dr		
Coplanarity	06/20	dr		
Operating temperature	06/15	dr		
Tolerances	05/12	dr		
Operating temperature	03/11	dr		
Soldering conditions	02/10	dr		
Modifications	Date	Name		

SMS 500 x

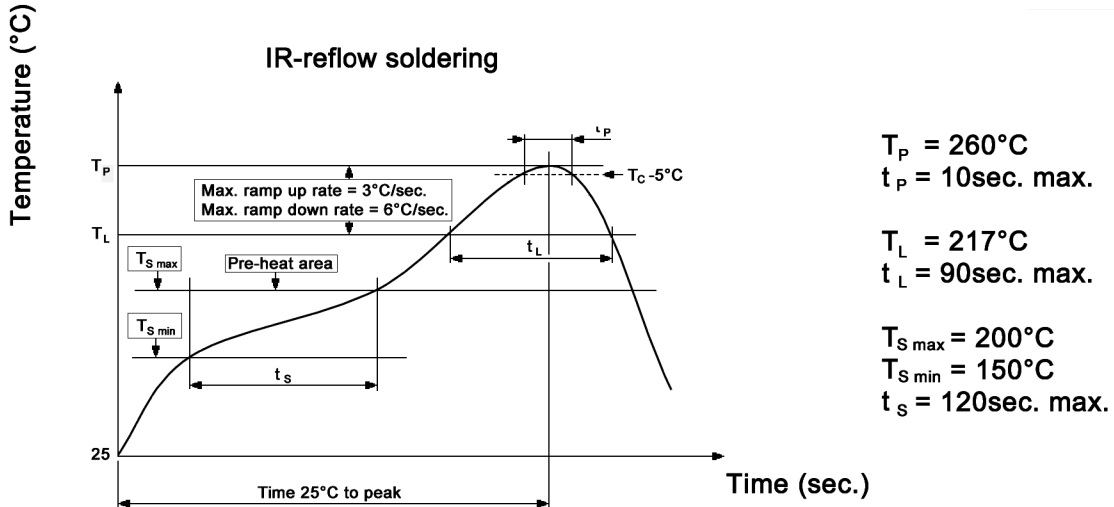
knitter-switch

30 19 53

Specifications:

Contact rating: 100mA, 50V DC
Contact resistance: 50mOhm max.
Insulation resistance: 1 000MOhm min. at 100V DC
Dielectric strength: 500V, 50Hz for the duration of 1 minute
Capacity: max. 5pF between 2 poles
Operating temperature: -40°C to +105°C
Mechanical life: min. 1 000 cycles
Shock resistance: contact interruption <10µsec. with triple shock in all 6 direction
 shock conditions: 20G, 11msec. duration (sine half wave)
Vibration: contact interruption: <10µsec. at vibration test in accordance with MIL-STD-202 D, method 204, condition C
Construction: case sealed, slide recessed, sealed with protective tape
Mounting: on pc-board - SMD
Slide position: off
Material: Contacts: beryllium copper, plated 0.3µm gold over 2µm nickel
 Terminals: nickel silver, plated 0.3µm gold over 2µm nickel
 Case: PPS
 Slide: PA

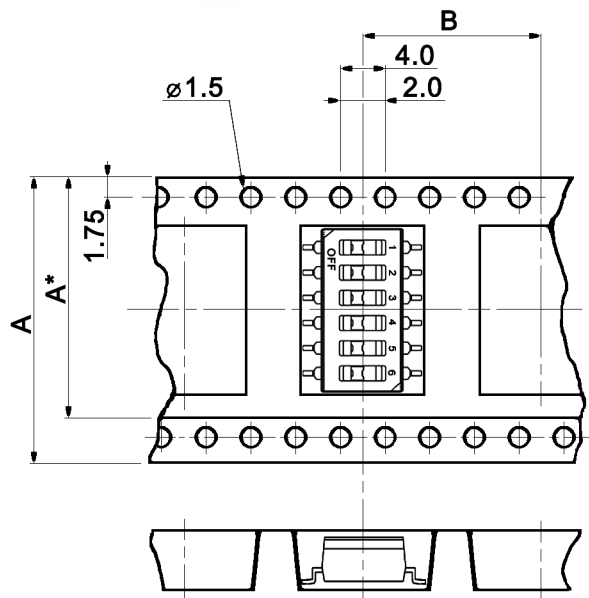
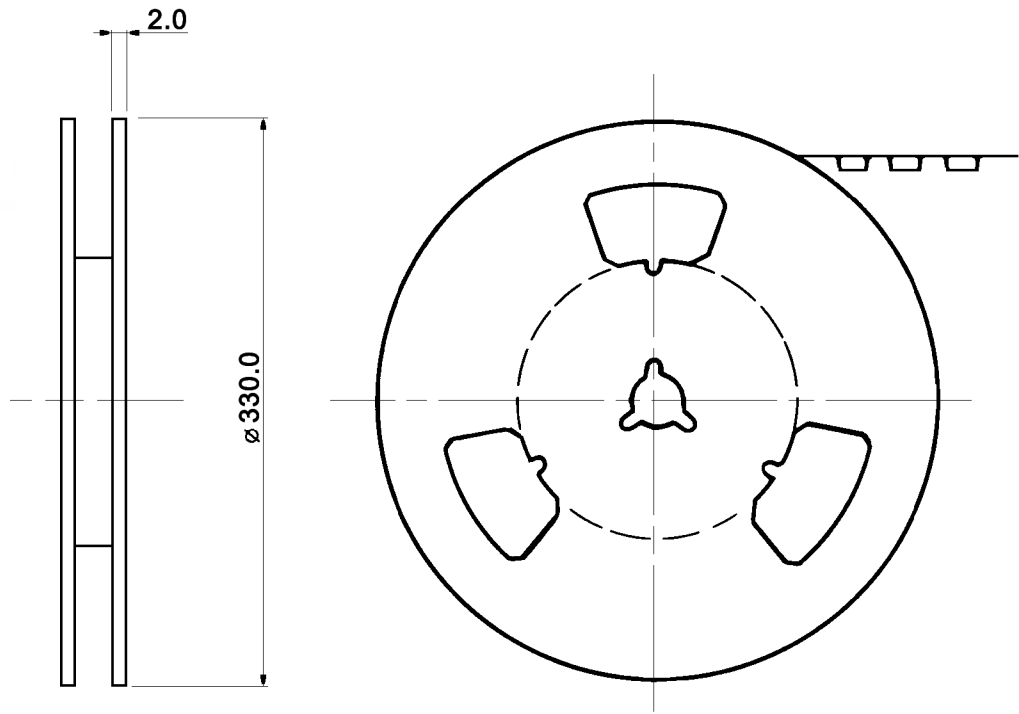
Soldering conditions:



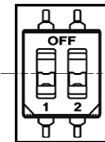
Compliance: RohS III (2015/863/EU)

Tolerances: <3: ±0.2mm >3: ±0.3mm		Date	Name	SMS 500 x
P.C.B. Layout	10/24	dr	dr	
Material	07/21	dr		
Coplanarity	06/20	dr		
Operating temperature	06/15	dr		
Tolerances	05/12	dr		30 19 53
Operating temperature	03/11	dr	knitter-switch	
Soldering conditions	02/10	dr		
Modifications	Date	Name		Page 2/3

Packaging:



SMS 502



Part No.	A	B	Tube	Tape
SMS 502	16.0 *	8.0	72 pcs.	2000 pcs.
SMS 504	24.0 *	12.0	40 pcs.	1000 pcs.
SMS 506	24.0 *	12.0	28 pcs.	1000 pcs.
SMS 508	32.0	12.0	20 pcs.	1000 pcs.
SMS 510	44.0	12.0	16 pcs.	1000 pcs.

Compliance: RohS III (2015/863/EU)

Tolerances: <3: ±0.2mm >3: ±0.3mm		Date	Name	<h1>SMS 500 x</h1>
P.C.B. Layout	10/24	dr	dr	
Material	07/21	dr		
Coplanarity	06/20	dr		
Operating temperature	06/15	dr		
Tolerances	05/12	dr		<h2>30 19 53</h2>
Operating temperature	03/11	dr	knitter-switch	
Soldering conditions	02/10	dr		
Modifications	Date	Name		Page 3/3